

## ROOM WITH A VIEW

Australians love their outdoors lifestyle. Adapting this superior shading system to your verandah or pergola allows the home owner to integrate indoor/outdoor living without compromising their view.

Verandas and Pergolas can now be protected from the elements and used as a shaded additional room for relaxing or as an entertaining area all year round.

MADE TOUGH TO PERFORM YEAR UPON YEAR IN THE HARSH AUSTRALIAN CLIMATE

FULLY AUSTRALIAN MADE AND AUSTRALIAN OWNED

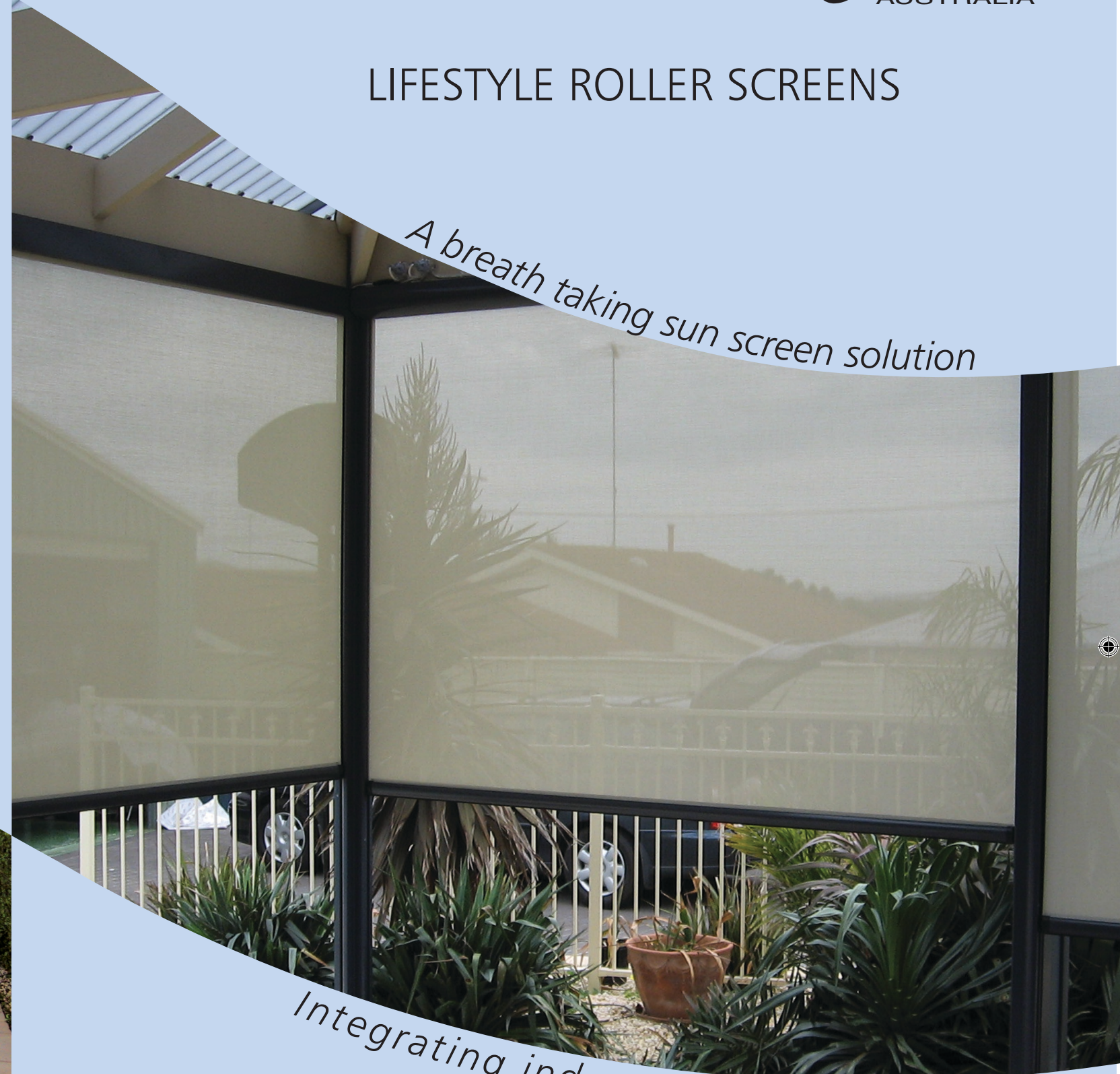


AUSTRALIAN MADE



## LIFESTYLE ROLLER SCREENS

*A breath taking sun screen solution*



*Integrating indoor & outdoor living.*



For further details, please contact our head office or your local distributor.

### Croci Australia Pty. Ltd.

ACN 059 529 887  
 ABN 61 059 529 887  
 88-90 Derby St  
 Pascoe Vale 3044  
 Victoria Australia

**Tel:** (03) 9354 4777  
**Fax:** (03) 9354 1944  
**Email:** sales@croci.com.au  
**Web:** www.croci.com.au

# LIFESTYLE ROLLER SCREENS

*The most technologically advanced, affordable & quality driven external roller screen on the market!*



## SHADE & CLIMATE CONTROL WITH STYLE

Lifestyle external Roller Screens are an effective way to give your home the lifestyle and comfort you deserve.

Conveniently operated from anywhere in the home at the touch of a button. Lifestyle roller screens allow you to control the amount of sunlight and ventilation with complete privacy without sacrificing your view.

The Lifestyle Roller Screens provide a sun screening solution to counteract the harsh and penetrating Australian sun by deterring heat and harmful UV rays entering your home. You have complete control on the temperature and mood lighting you create.

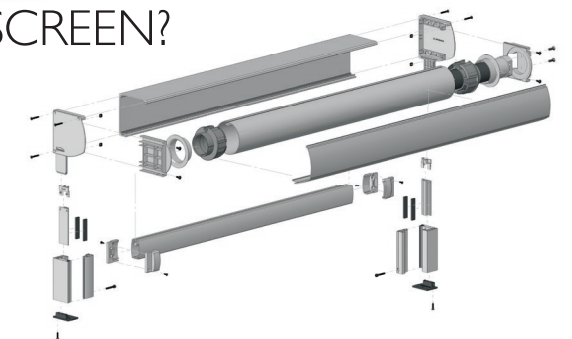
Lifestyle external Roller Screens will significantly reduce your energy consumption and extend the lifetime of carpets, furniture and flooring.

Lifestyle Roller Screens incorporate a PVC coated high tensile polyester mesh designed for all outdoor applications. With high UV and water resistance characteristics, makes this the ideal fabric for all weather conditions. Engineered as a high-tech woven product, the fabric breathes allowing continuous airflow and ventilation in and out of your home whilst keeping insects and debris out.

The fabric is scratch and water resistant. It leaves no watermarks after rain, and due to its PVC base, dust and dirt can easily be washed away.

## WHY CHOOSE THE LIFESTYLE ROLLER SCREEN?

- *Up to 85% Light Control & Shade Factor*
- *Up to 95% Heat Control & UV Block*
- *High velocity wind resistance - 154kg loading*
- *Interlocking zip track*
- *Reduce energy consumption all year round*
- *Daytime privacy*
- *Each screen is tailor made to the customers exact specifications*
- *A wide range of fabric colours to suit even the most discerning critic*
- *Extruded aluminium guides, rails & pelmets available in a wide range of Dulux powder coat colours*
- *European design and flair made tough in Australia*

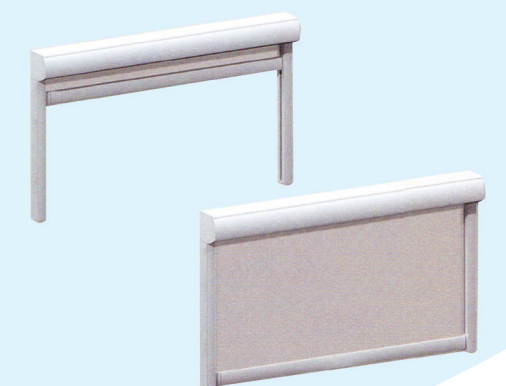


## MADE TOUGH TO PERFORM YEAR UPON YEAR

The unique interlocking zip track locks the screen tight and with a wind resistance class rating of 3, (UNE-EN 13659:2004), no breakage after a 154kg load, Lifestyle roller screens can be used even in those high velocity wind areas.

Lifestyle roller screens are created exclusively using PVC heat welding. There is no stitching through plastic preventing rot, wear, or leakage which in turn provides long term guaranteed performance.

With a wide selection of fabric choices, the ability to cover large spans, high quality components, reliable operation and breath taking aesthetics, the Lifestyle Roller Screens are your answer to affordable quality all year round!



## FUNCTIONALITY

Your Roller Screens can be functional all year round. Not only during the warmer months, but also the cooler months. By fully retracting the screen, it allows the radiant sun's natural winter warmth into your home. It not only creates a great warm ambience but also reduces your heating and energy costs. The Roller Screens retract in the neat extruded aluminium cassette head box.

